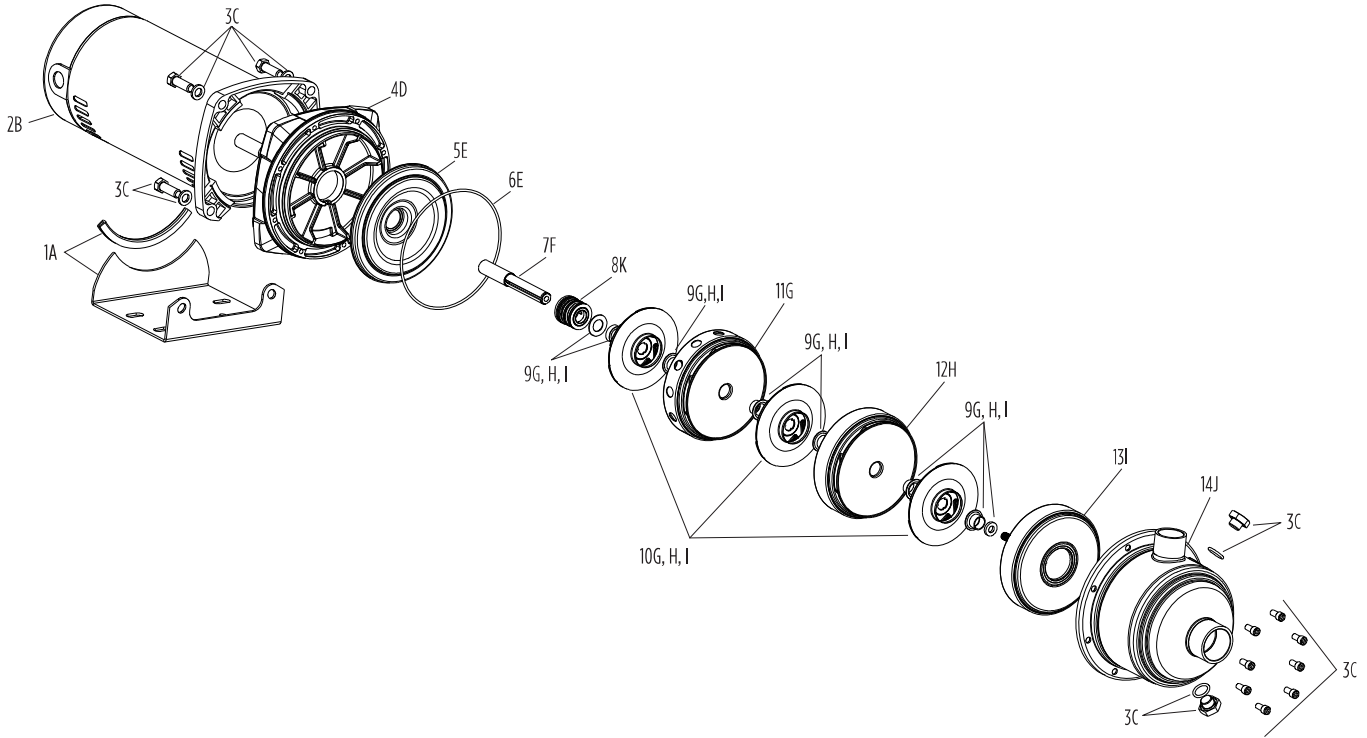


# NON-SUBMERSIBLE PUMPS - BOOSTER PUMPS

## MH SERIES: 15 GPM



| Figure No. | Description                 | Kit Grouping Identifier* | Repair Part Order Codes By Model No.                 |           |           |           |           |
|------------|-----------------------------|--------------------------|--|-----------|-----------|-----------|-----------|
|            |                             |                          | 15MH05S2   | 15MH07S3  | 15MH1S4   | 15MH15S5  | 15MH2S6   |
|            |                             |                          | 2-Stage  | 3-Stage   | 4-Stage   | 5-Stage   | 6-Stage   |
| 1          | Base                        | A                        | 305373901  |           |           |           |           |
| 2          | Single-Phase Motor          | B                        | 305374901  | 305374902 | 305374904 | 305374905 | 305374910 |
|            | Three-Phase Motor           | B                        | 305374954  | 305374955 | 305374956 | 305374957 | 305374958 |
| 3          | Fastener Kit                | C                        | Needed fasteners are supplied with kits as required. |           |           |           |           |
| 4          | Adaptor Flange              | D                        | 305408907  |           |           |           |           |
| 5          | Seal Plate                  | E                        | 305408906  |           |           |           |           |
| 6          | O-ring                      | K                        | 305408906  |           |           |           |           |
| 7          | Shaft                       | F                        | 305421906  |           | 305408909 | 305408910 | 305408911 |
| 8          | Mechanical Seal             | K                        | 305421906  |           |           |           |           |
| 9          | Hydraulic Hardware          | G, H, I                  | See Stage Assembly Kits                              |           |           |           |           |
| 10         | Impeller                    | G, H, I                  | See Stage Assembly Kits                              |           |           |           |           |
| 11         | Discharge Stage Assembly    | G                        | 305408916  | 305408913 |           |           |           |
| 12         | Intermediate Stage Assembly | H                        | 305408918  |           |           |           |           |
| 13         | Suction Stage Assembly      | I                        | 305408921  |           |           |           |           |
| 14         | Pump Case                   | J                        | 305408901  | 305408902 | 305408903 | 305408904 |           |

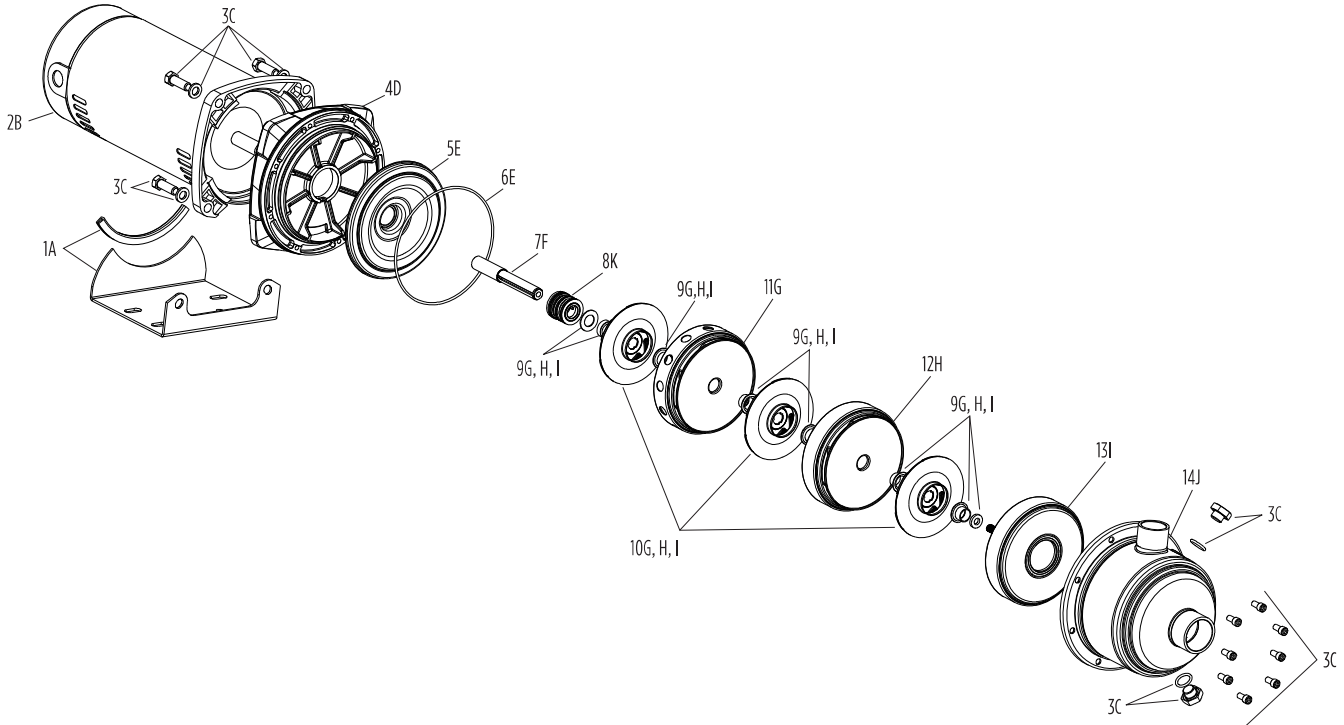
\* Discharge stage assembly on 2-stage pumps only contain diffuser and necessary hardware

\*\* 2- and 3-stage pumps have (1) intermediate stage assembly; 4-stage pumps have (2) intermediate stage assembly; 5-stage pumps have (3) intermediate stage assembly; 6-stage pumps have (4) intermediate stage assembly

\*\*\* All pumps have one suction stage assembly

## NON-SUBMERSIBLE PUMPS - BOOSTER PUMPS

### MH SERIES: 30/45 GPM



| Figure No. | Description                 | Kit Grouping Identifier* | Repair Part Order Codes By Model No.                |           |           |           |                         |           |
|------------|-----------------------------|--------------------------|---|-----------|-----------|-----------|-------------------------|-----------|
|            |                             |                          | 30MH07S2  | 30MH1S3   | 30MH15S4  | 30MH2S5   | 45MH15S2                | 45MH2S3   |
|            |                             |                          | 2-Stage   | 3-Stage   | 4-Stage   | 5-Stage   | 2-Stage                 | 3-Stage   |
| 1          | Base                        | A                        | 305373901   |           |           |           | 305373901               |           |
| 2          | Single-Phase Motor          | B                        | 305374902   | 305374907 | 305374909 | 305374911 | 305374905               | 305374911 |
|            | Three-Phase Motor           | B                        | 305374955   | 305374956 | 305374957 | 305374958 | 305374957               | 305374958 |
| 3          | Fastener Kit                | C                        | Needed fasteners are supplied with kits as required |           |           |           |                         |           |
| 4          | Adaptor Flange              | D                        | 305408907   |           |           |           | 305408907               |           |
| 5          | Seal Plate                  | E                        | 305408906   |           |           |           | 305408906               |           |
| 6          | O-ring                      | E                        | 305408906   |           |           |           | 305408906               |           |
| 7          | Shaft                       | F                        | 305408908   | 305408909 | 305408910 | 305408912 |                         |           |
| 8          | Mechanical Seal             | K                        | 305421906   |           |           |           | 305421906               |           |
| 9          | Hydraulic Hardware          | G, H, I                  | See Stage Assembly Kits                             |           |           |           | See Stage Assembly Kits |           |
| 10         | Impeller                    | G, H, I                  | See Stage Assembly Kits                             |           |           |           | See Stage Assembly Kits |           |
| 11         | Discharge Stage Assembly    | G                        | 305408916   | 305408914 |           |           | 305408917               | 305408915 |
| 12         | Intermediate Stage Assembly | H                        | 305408919   |           |           |           | 305408920               |           |
| 13         | Suction Stage Assembly      | I                        | 305408922   |           |           |           | 305408923               |           |
| 14         | Pump Case                   | J                        | 305408901   | 305408902 | 305408903 | 305408905 |                         |           |

NOTE: 2- and 3-stage pumps have (1) intermediate stage assembly; 4-stage pumps have (2) intermediate stage assembly; 5-stage pumps have (3) intermediate stage assembly; all pumps have (1) suction stage assembly  
 \* Discharge stage assembly on 2-stage pumps only contain diffuser and necessary hardware